

NOTES

1. DOUBLE STAKE 15 GAL. AND LARGER TREES. SINGLE STAKE TREES SMALLER THAN 15 GAL.
2. FOR SINGLE STAKED TREES, PLACE STAKE ON WINDWARD SIDE OF TREE.
3. LOCATE STAKES OUTSIDE OF ROOTBALL.
4. PROVIDE MINIMUM DISTANCE FROM OTHER OBJECTS AS FOLLOWS:
20' TRAFFIC SIGNALS, 12' STREET LIGHTS, 10' FIRE HYDRANTS, SEWER LINES AND SDG&E FOR PAD MOUNTED EQUIPMENT, AND 5' UNDERGROUND SDG&E ELECTRIC AND GAS LINES.

REVISION	BY	APPROVED	DATE
ORIGINAL*	SG	J. NAGELVOORT	01/12
REFRATED	CD	J. NAGELVOORT	09/18

CITY OF SAN DIEGO - STANDARD DRAWING

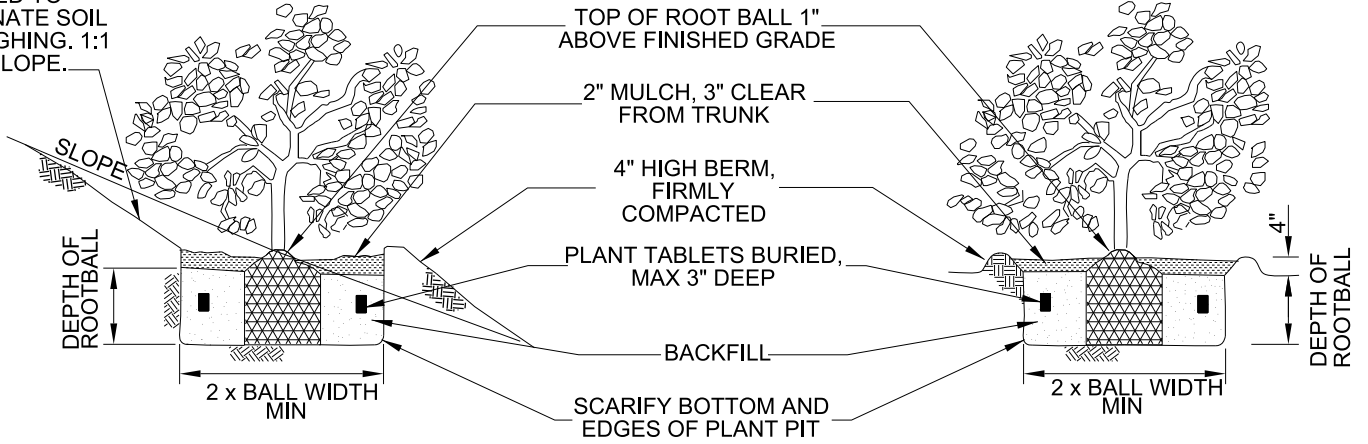
TREE PLANTING AND STAKING

RECOMMENDED BY THE CITY OF SAN DIEGO STANDARDS COMMITTEE

Chungga **9/4/18**
COORDINATOR R.C.E. 56523 DATE

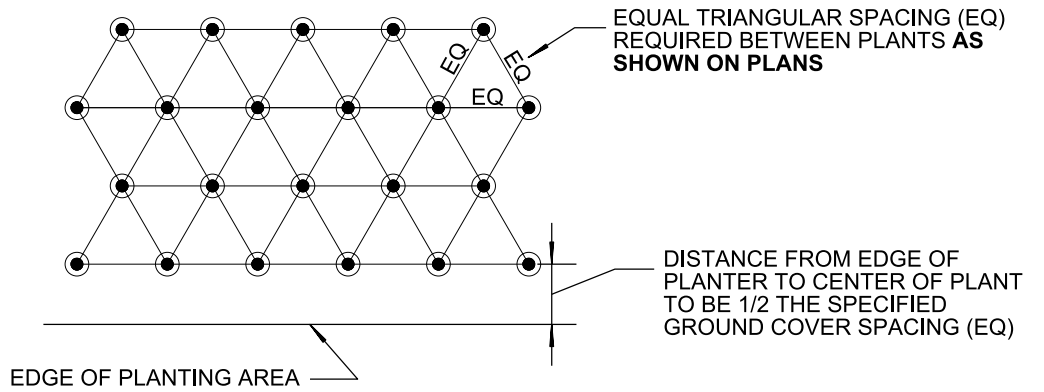
DRAWING NUMBER **SDL-101**

CHAMFER AS NEEDED TO ELIMINATE SOIL SLOUGHING. 1:1 MAX SLOPE.



SHRUB PLANTING - SLOPES

SHRUB PLANTING - LEVEL GROUND



GROUND COVER SPACING

REVISION	BY	APPROVED	DATE
ORIGINAL*	KA	J. NAGELVOORT	01/12
UPDATED	AR	J. NAGELVOORT	02/16
REDRAFTED	CD	J. NAGELVOORT	09/18

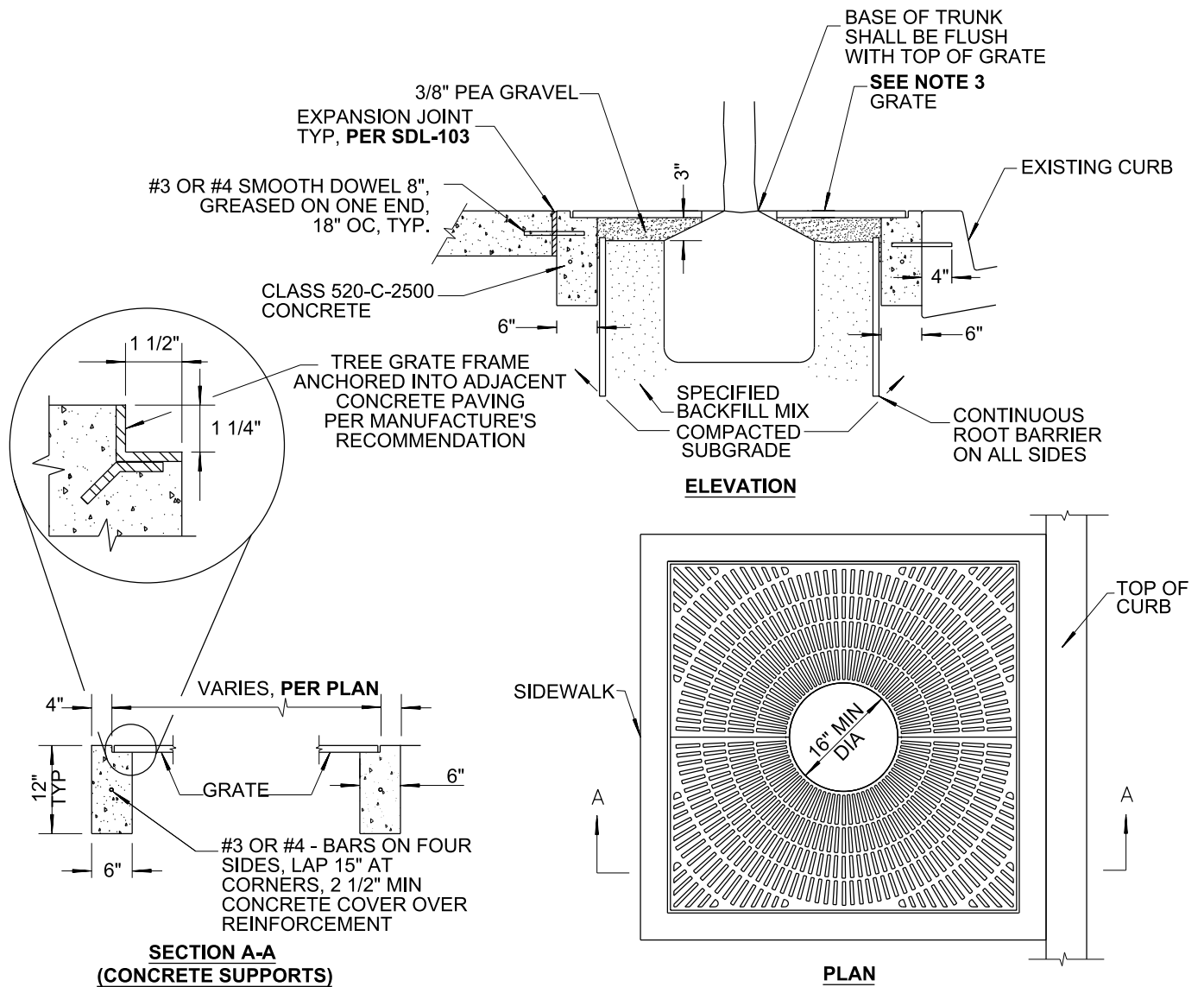
CITY OF SAN DIEGO – STANDARD DRAWING

SHRUB PLANTING/GROUND COVER SPACING

RECOMMENDED BY THE CITY OF SAN DIEGO STANDARDS COMMITTEE


Chungga 9/4/18
COORDINATOR R.C.E. 56523 DATE

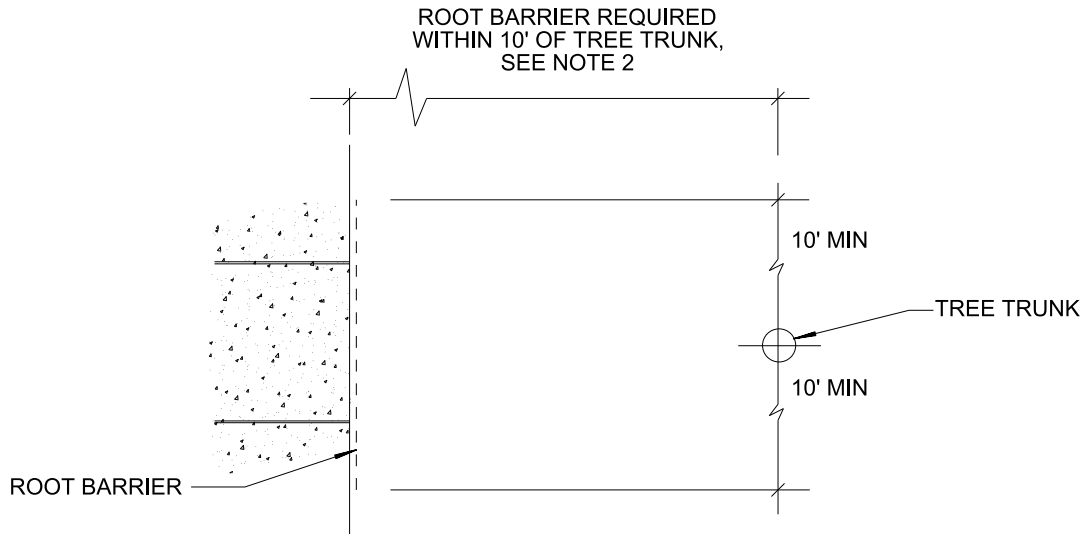
DRAWING NUMBER **SDL-102**



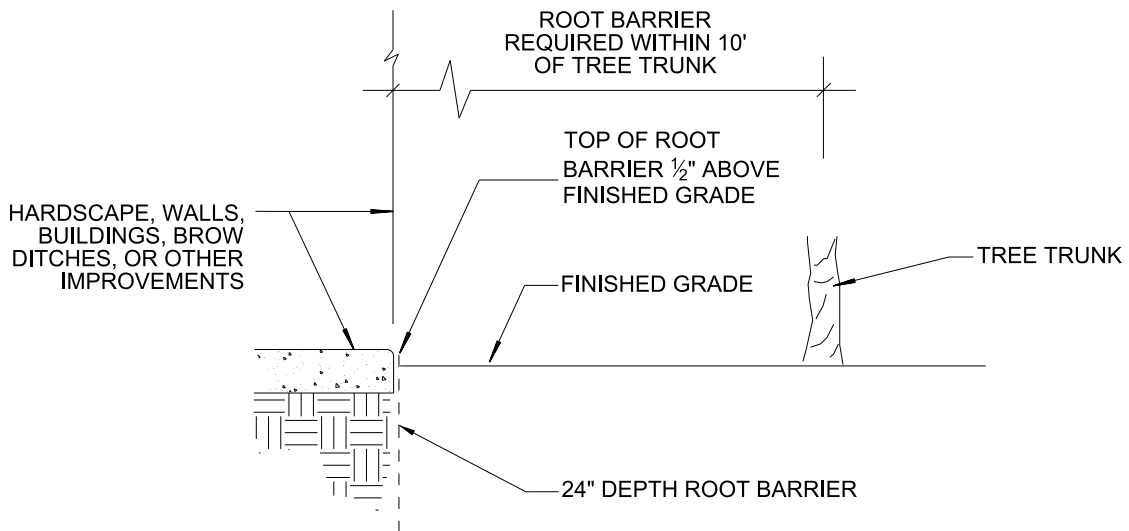
NOTES:

1. CONCRETE TO BE REMOVED FOR EACH TREE PLANTING SHALL BE SAW CUT FULL DEPTH.
2. BOLTS, NUTS AND WASHERS SHALL BE GRADE 316 STAINLESS STEEL. GRATE FRAME SHALL BE HOT DIPPED GALVANIZED AFTER FABRICATION. ALL GRATES SHALL BE REMOVABLE & FASTENERS SHALL BE ACCESSIBLE TO MAINTENANCE .
3. GRATES SHALL BE MINIMUM 40 SQUARE FEET IN SIZE, AND 2 SEPARATE PIECES, UNLESS OTHERWISE SPECIFIED ON THE PLANS. SLOT OPENINGS IN GRATE DESIGN SHALL HAVE 3/8" MAXIMUM WIDTH. GRATE DESIGNS AND INSTALLATION SHALL BE IN ACCORDANCE WITH CURRENT ADA STANDARDS AND THE LATEST EDITION OF THE CALIFORNIA BUILDING CODE, WITH A MINIMUM UNIFORM LIVE LOAD OF 250 POUNDS PER SQUARE FOOT IN SIDEWALKS.
4. IMMEDIATE NOTIFICATION SHALL BE GIVEN TO THE ENGINEER OF ANY BELOW GRADE IMPROVEMENTS ENCOUNTERED.
5. SET GRATE IN FRAME PRIOR TO PLACEMENT OF PAVEMENT. ANY WARPED OR NON-FLUSH FITTING GRATES SHALL BE REPLACED.
6. TREE SHALL BE CENTERED IN GRATE OPENING. GRATES SHALL HAVE A PERMANENT SLIP RESISTANT FINISH.
7. ADJACENT SIDEWALK SHALL HAVE A MINIMUM CLEARANCE WIDTH OF 4' FROM THE EDGE OF GRATE.
8. GRATE SHALL BE UNIFORM WITH ADJACENT GRADE.
9. PROVIDE MINIMUM DISTANCE FROM OTHER OBJECTS AS FOLLOWS: 12' STREET LIGHTS, 10' FIRE HYDRANTS, 10' SEWER LINES, AND 20' TRAFFIC SIGNALS.
10. SUBMIT GRATE DESIGN FOR APPROVAL.

REVISION	BY	APPROVED	DATE	CITY OF SAN DIEGO – STANDARD DRAWING	RECOMMENDED BY THE CITY OF SAN DIEGO STANDARDS COMMITTEE
ORIGINAL*	KA	J. NAGELVOORT	01/12		
REDRAFTED	CD	J. NAGELVOORT	09/18	TREE GRATE	 COORDINATOR R.C.E. 56523 DATE 9/4/18
				DRAWING NUMBER	SDL-104



PLAN VIEW



SECTION

NOTE:

1. ROOT BARRIER SHALL BE INSTALLED ADJACENT TO THE IMPROVEMENT AND NOT AROUND THE ROOTBALL.
2. ROOT BARRIER REQUIRED WHEN TREE TRUNK IS WITHIN 10' OF HARDSCAPE, WALLS, BUILDINGS, BROW DITCHES, OR OTHER IMPROVEMENTS.
3. FOR ROOT BARRIER INSTALLATION WITH THE TREE GRATES **SEE SDL-104.**

REVISION	BY	APPROVED	DATE
ORIGINAL*	KA	J. NAGELVOORT	01/12
REDRAFTED	CD	J. NAGELVOORT	09/18

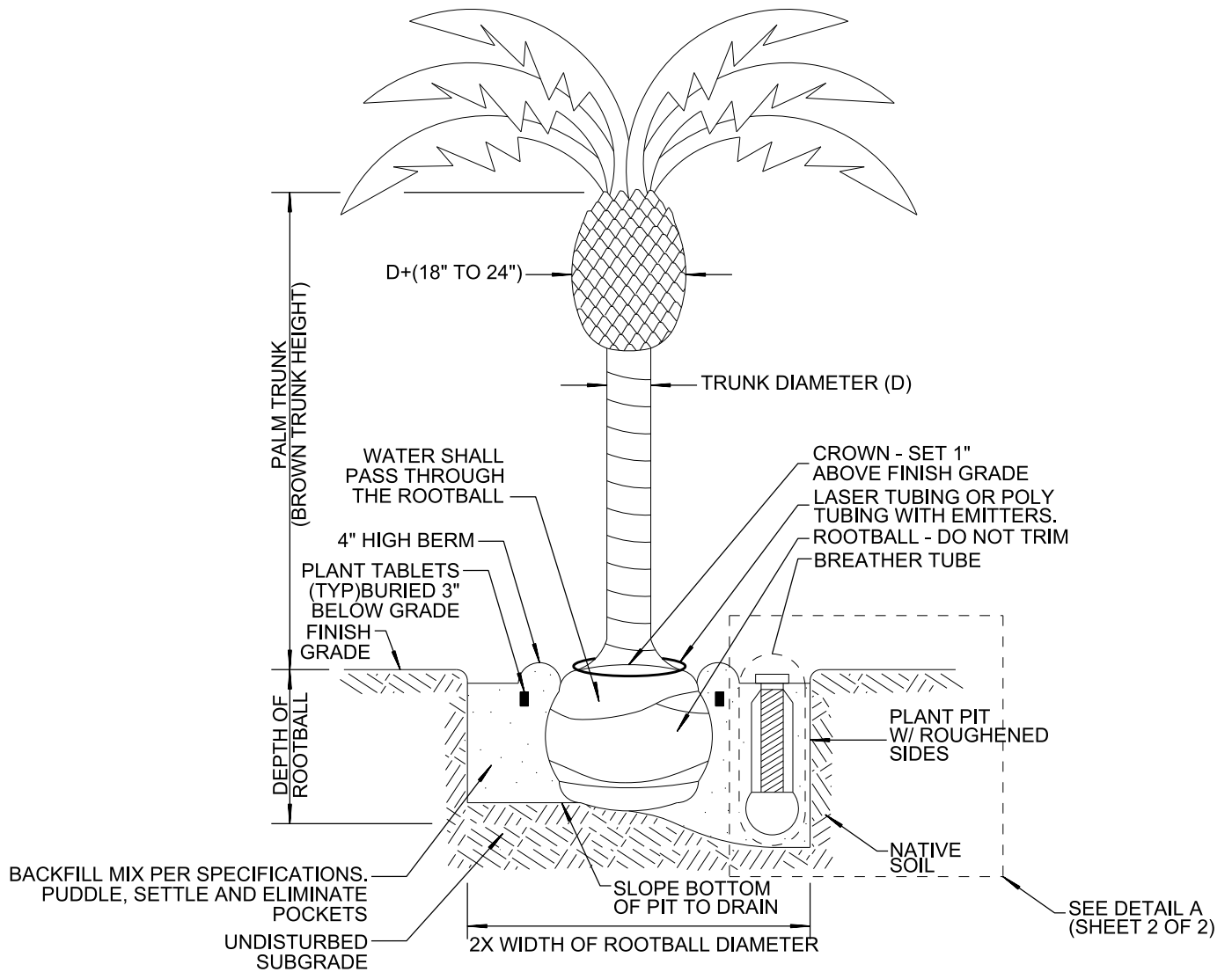
CITY OF SAN DIEGO – STANDARD DRAWING

ROOT CONTROL BARRIER

RECOMMENDED BY THE CITY
OF SAN DIEGO STANDARDS COMMITTEE

Chungga 9/4/18
COORDINATOR R.C.E. 56523 DATE


DRAWING NUMBER **SDL-106**

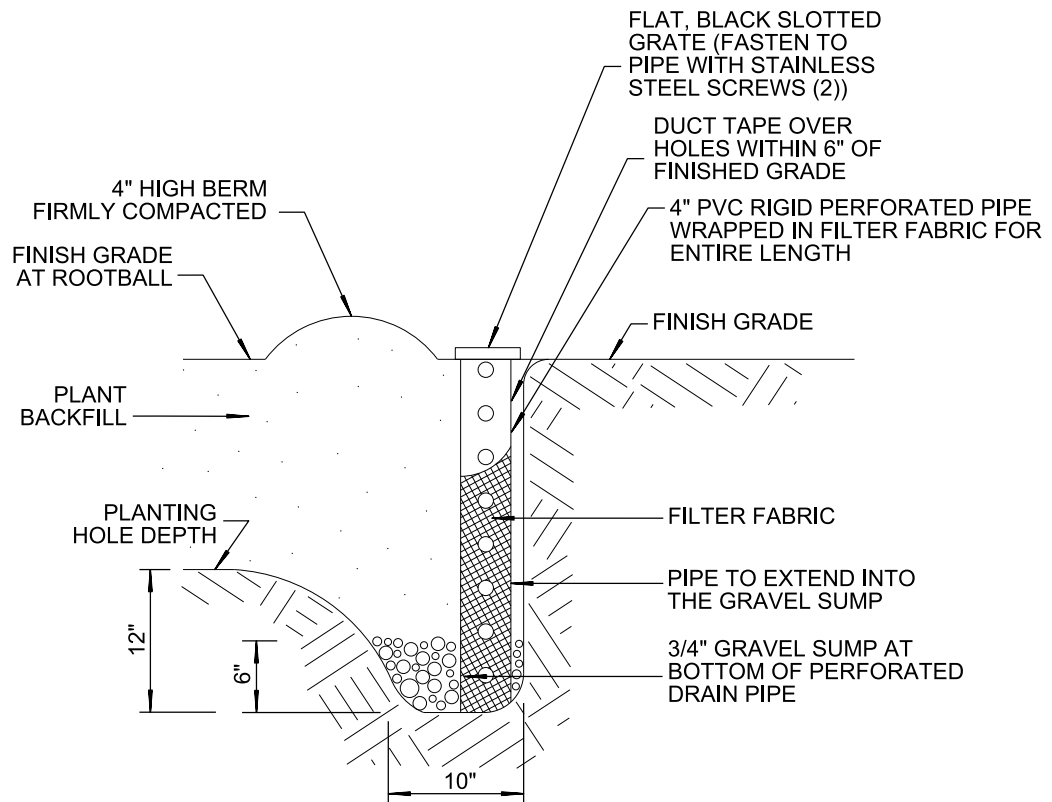


NOTES:

1. TIE PALM FRONDS TOGETHER WITH BIODEGRADABLE SISAL TWINE. TWINE SHALL BE REMOVED AFTER 90 DAYS OF TRANSPLANTING UNLESS OTHERWISE DIRECTED BY THE ENGINEER.
2. PALM TRUNKS SHALL BE SKINNED, TRIMMED, AND VERTICAL.
3. STEM DIAMETER REQUIREMENT APPLIES ONLY TO PHOENIX SPECIES.

SHEET 1 OF 2

REVISION	BY	APPROVED	DATE	CITY OF SAN DIEGO – STANDARD DRAWING	RECOMMENDED BY THE CITY OF SAN DIEGO STANDARDS COMMITTEE	
ORIGINAL*	KA	J. NAGELVOORT	01/12			
REDRAFTED	CD	J. NAGELVOORT	09/18	PALM TREE PLANTING	 COORDINATOR R.C.E. 56523 DATE 9/4/18	
					DRAWING NUMBER	SDL-107



**DETAIL - A
BREATHER TUBE**

SHEET 2 OF 2

REVISION	BY	APPROVED	DATE
ORIGINAL*	KA	J. NAGELVOORT	01/12
REDRAFTED	CD	J. NAGELVOORT	09/18

CITY OF SAN DIEGO – STANDARD DRAWING

RECOMMENDED BY THE CITY OF SAN DIEGO STANDARDS COMMITTEE

Chung 9/4/18
COORDINATOR R.C.E. 56523 DATE

PALM TREE PLANTING

DRAWING NUMBER **SDL-107**